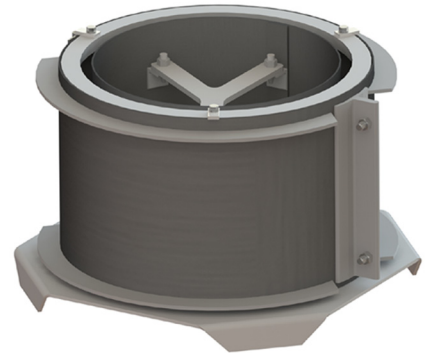


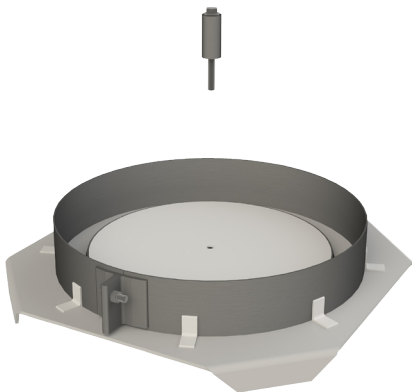
SINGULAIR[®] AERATOR RISER MOLDS



Aerator Mounting Casting: 0.05 cu. yd.



Aerator Riser Casting: 0.03 cu. yd.



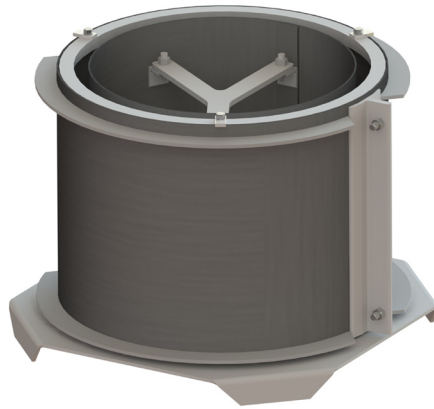
Aeration Chamber System Access Cover: 0.03 cu. yd.



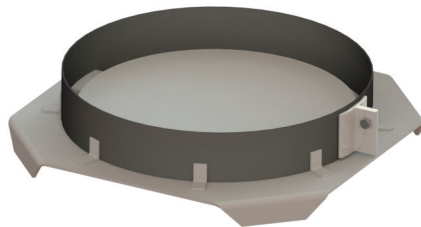
Aeration Mold Trough

norweco[®]

**SINGULAIR[®] BIO-KINETIC[®]
RISER MOLDS**



Bio-Kinetic System Mounting Casting: 0.04 cu. yd.
Bio-Kinetic System Riser Casting: 0.03 cu. yd.



Bio-Kinetic System Access Cover: 0.03 cu. yd.



Bio-Kinetic Mold Trough